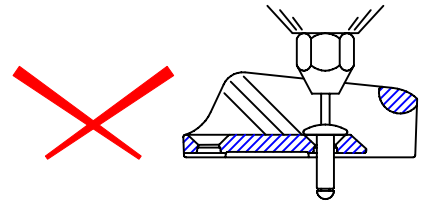
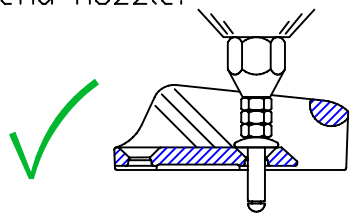


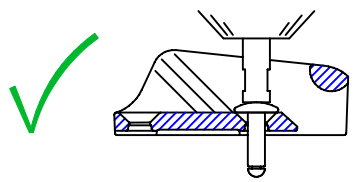
Standard rivet gun nozzles do not fit inside cleat.



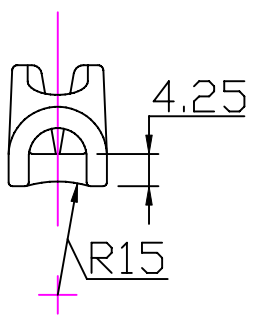
Use 2 or 3 nuts to extend nozzle.



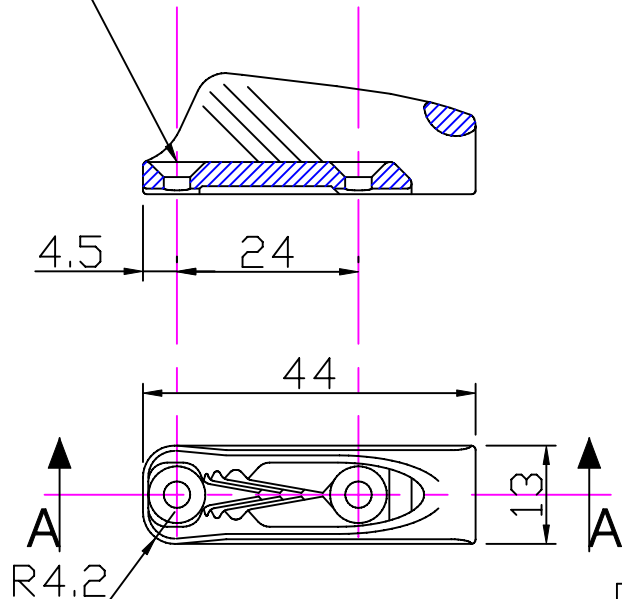
Extended nozzle is best Consult rivet gun supplier.



2 Holes $\varnothing 3.5$
countersunk $\varnothing 7.5 \times 90^\circ$



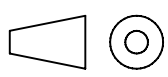
Section 'AA'



Clamcleat®
Rope cleats

Clamcleats Limited
Watchmead
Welwyn Garden City
Hertfordshire AL7 1AP
England

Telephone +44 (0)1707 330101
Fax +44 (0)1707 321269
www.clamcleat.com



Scale 1:1
All dimensions in mm.

Issue: 3 February 2007 ID263.dwg
Material: Nylon
Installation Drawing for:- CL263 Micros